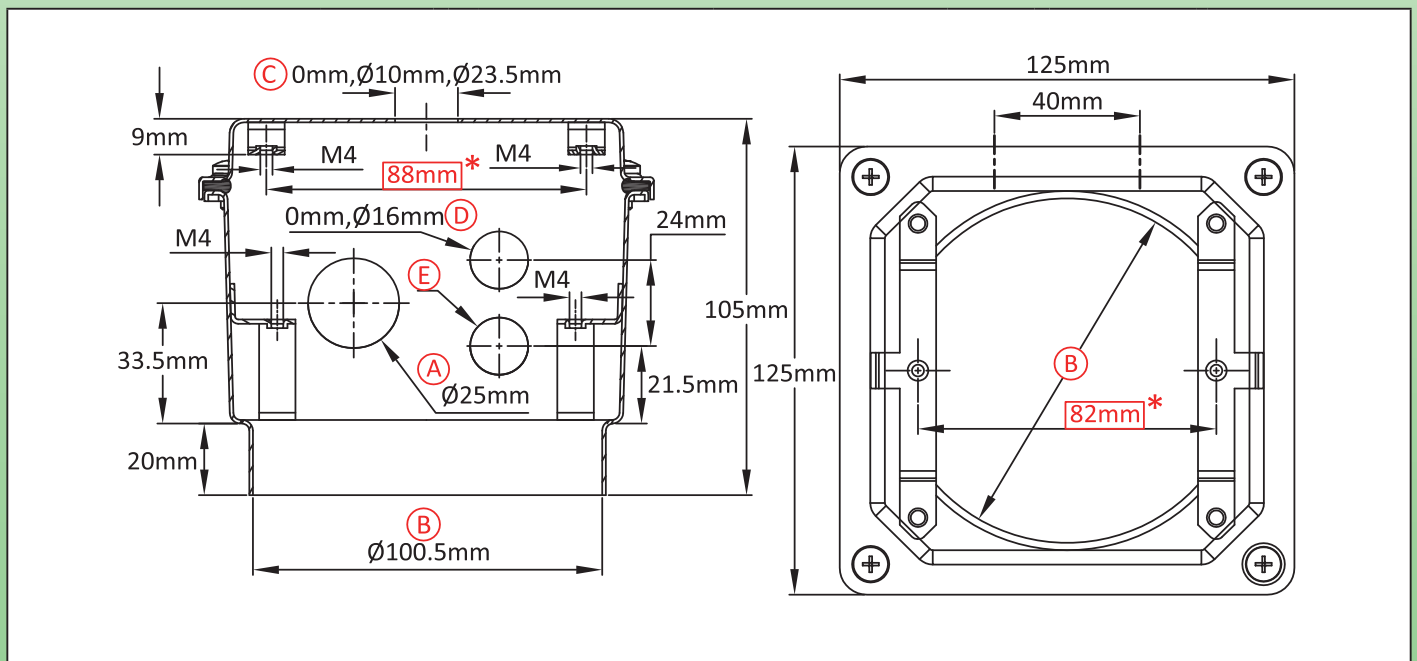
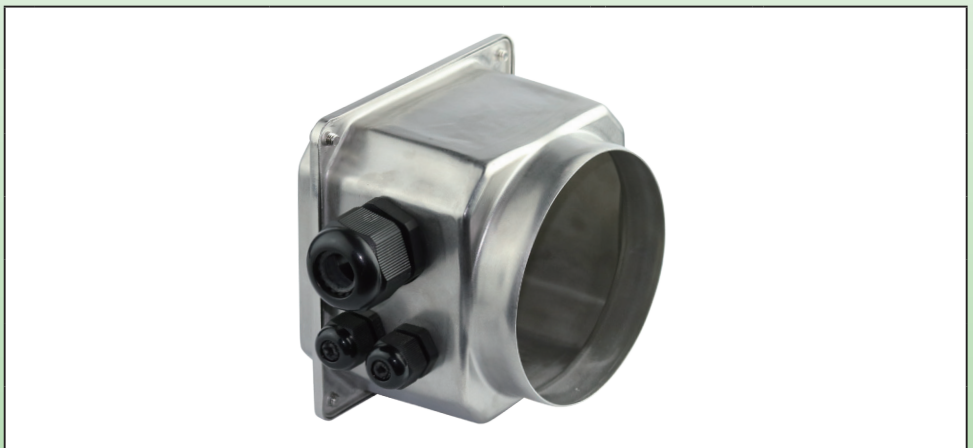


Big enclosure, for immersion heaters or instruments, with flat cover for welding on tubes

Size(mm)	Volume(cm ³)	Material	Protection grade		Model
125 × 125 × 105	1138	stainless steel	IP69K	IK7	Y3TC




Suitable for
<input type="checkbox"/> Temperature sensor
<input checked="" type="checkbox"/> Immersion heater
<input type="checkbox"/> Finned heater
<input checked="" type="checkbox"/> Thermostat
<input type="checkbox"/> Level sensor
<input checked="" type="checkbox"/> Electronic board



Main references

(A)(mm)	(B)(mm)	(C)(mm)	(D)(mm)	(E)(mm)	304	316
25	100.5	0	16	16	Y3TCA0503S3G1008	Y3TCA0503S3G1009
25	100.5	10	16	16	Y3TCA05A3S3G1008	Y3TCA05A3S3G1009
25	100.5	23.5	16	16	Y3TCA05D3S3G1008	Y3TCA05D3S3G1009
25	100.5	0	0	16	Y3TCA0502C5G1008	Y3TCA0502C5G1009
25	100.5	10	0	16	Y3TCA05A2C5G1008	Y3TCA05A2C5G1009
25	100.5	23.5	0	16	Y3TCA05D2C5G1008	Y3TCA05D2C5G1009
25	100.5	0	0	0	Y3TCA050125G1008	Y3TCA050125G1009
25	100.5	10	0	0	Y3TCA05A125G1008	Y3TCA05A125G1009
25	100.5	23.5	0	0	Y3TCA05D125G1008	Y3TCA05D125G1009

Links

	Page (.pdf)
	Drawing 2D (.dwg)
	Drawing 3D (.stp)

Cable gland not included in these reference, consult us if you want them.
 Red dimensions inside rectangular frames are used for accessories assembly.

Because of permanent improvement of our products, drawings, descriptions, features used on these data sheets are for guidance only and can be modified without prior advice

